

RFID Hotel Keyless Entry Door Locks SL-HA8



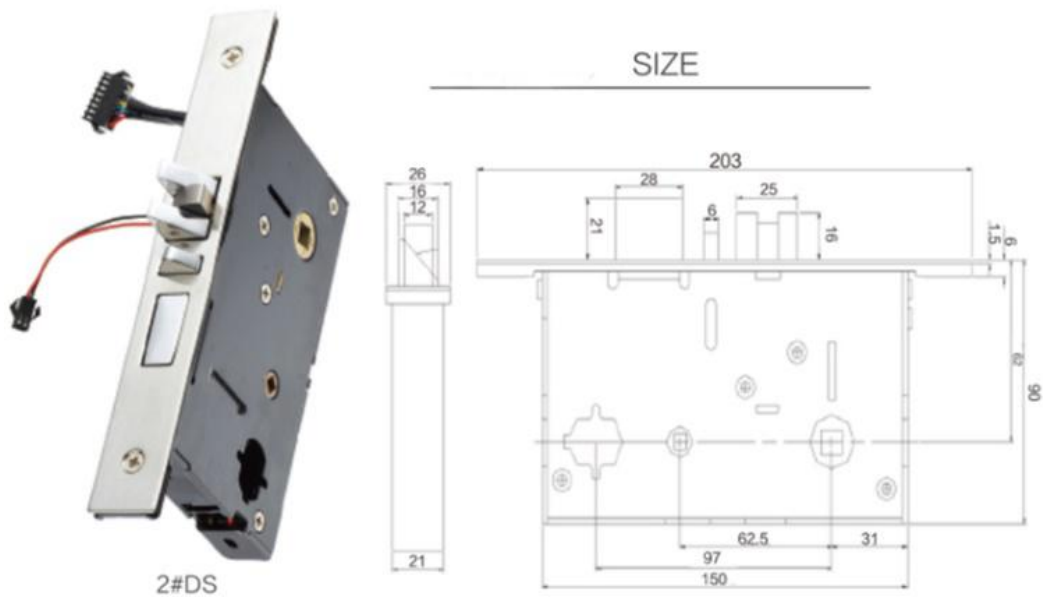
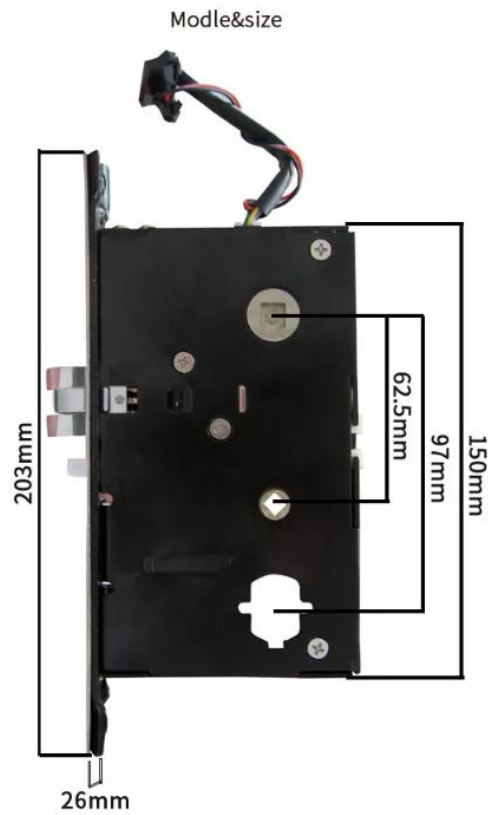
1, Features:

- The new titanium aluminum alloy material is durable and does not fade, recommended by star hotels
- American Standard 5 bolt structure lock core, hierarchical management; Triple mute locking body;
- The motherboard supports anti-interference and error correction functions;
- The lock information will not be lost when the power is off;
- A clock inner lock controls the key card use time;
- Anti-static support;
- Low voltage alarm;
- Suitable for door thickness 35-55mm

2, Specification:

| | |
|----------------------------|---|
| Material | Inner steel plate Outer Titanium-aluminium alloy |
| Mortise | U.S Mortise with 5 Latches |
| Door Type | Wooden door, composite door |
| Power supply | 6V (4x AA batteries) |
| Unlock method | swipe + key |
| Low voltage worming | Yes |
| Card reading distance | less than 3CM |
| Color: | Silver / gold / red ancient / black |
| Application: | hotel / school / office/apartment, etc. |
| Door thickness: | 30-55mm |
| Software | Yes |
| Type | Hotel management software |
| OS | Windows XP/Vista |
| Card Type | Mifare Card/ T555 / EM430 / apartment ID board |
| Card reader | Hotel lock encoder |
| Environment & Verification | |
| Working Temperature | -20°C-50°C |
| Working Humidity | 20%-70% |
| Backup unlock mechanism | Mechanical Key |
| Dimension (L*W) | 290x70x12mm |
| Warranty: | 2 year |
| Weight: | 3KG |
| Battery life | support 5000 lockout unlocking operation |

3, Lock Mortise:



4, Installation Drawing

