

## Commercial Key Card Door Lock for Hotels SL-HA5



### 1, Features:

- 1, Simple style, classic style, noble, zinc alloy material, to ensure that the door lock is more durable;
- 2, The United States standard 5 lock tongue structure lock core, hierarchical management;
- 3, Triple mute lock body;
4. The motherboard supports anti-interference and error correction functions;
5. Lock information will not be lost when power is off;
6. A clock internal lock controls the use time of the key card;
- 7, Anti-static support;
- 8, Low voltage alarm;
- 9, Suitable for door thickness 35-55mm

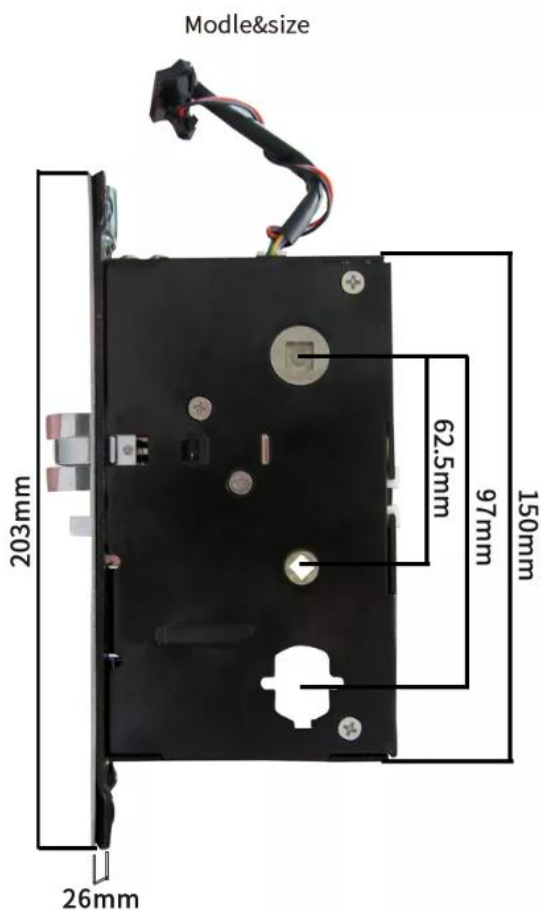
## 2, Specification:

Material	Inner steel plate Outer 201 stainless steel
Mortise	U.S Mortise with 5 Latches
Door Type	Wooden door, composite door
Power supply	6V (4x AA batteries)
Unlock method	swipe + key
Low voltage worming	Yes
Card reading distance	less than 3CM
Color:	Silver / gold/ black
Application:	hotel / school / office/apartment, etc.
Door thickness:	30-55mm
Software	Yes
Type	Hotel management software
OS	Windows XP/Vista
Card Type	Mifare Card/ T555 / EM430 / apartment ID board
Card reader	Hotel lock encoder
Environment & Verification	
Working Temperature	-20°C-50°C
Working Humidity	20%-70%
Backup unlock mechanism	Mechanical Key
Dimension (L*W)	280x70x12mm
Warranty:	2 year
Weight:	3KG
Battery life	support 5000 lockout unlocking operation

### 3, Size:

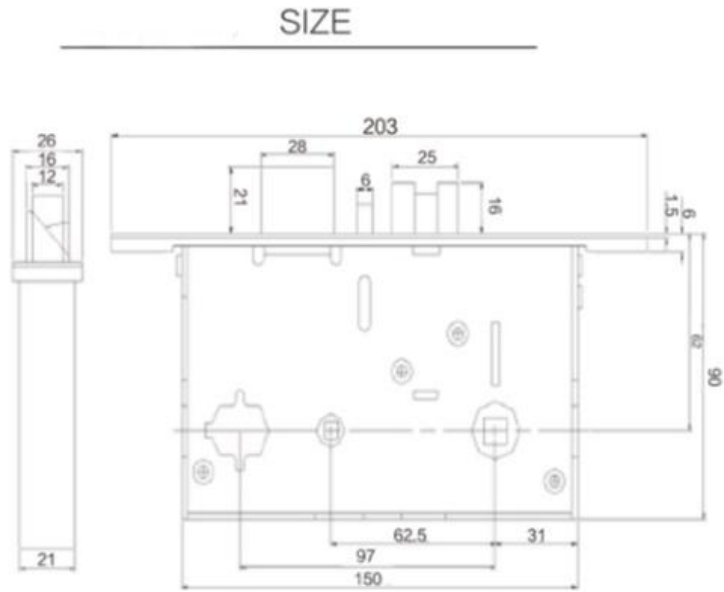


### 4, Lock Mortise:

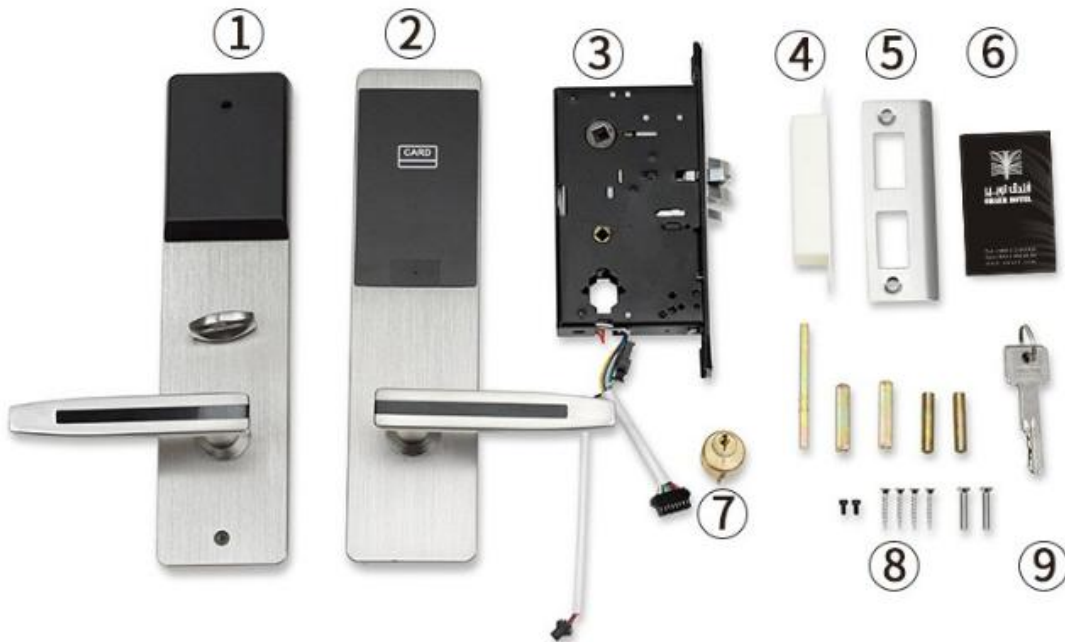




2#DS



## 6, Packing Details



1: Front panel

2: Rear panel

3: Lock mortise

4: Lock strike box

5: Lock strike plate

6: Room card

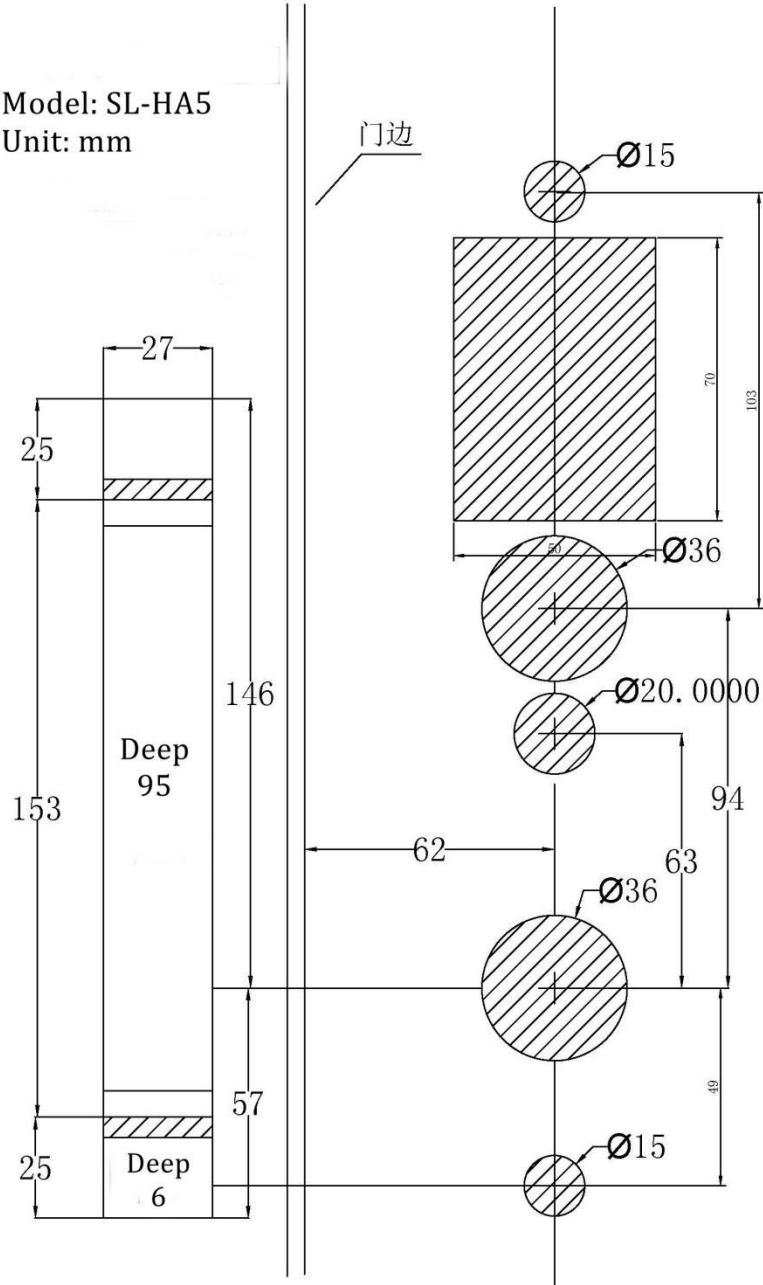
7: Mechanical lock cylinder

8: Fix mounting screws

9: Mechanical key

## 5, Installation Drawing

Model: SL-HA5  
Unit: mm



1: 1 Printing